

1. Features

New

- Dimmable constant current LED power supplies developed in the framework of EU grant
- Suitable for LED Lighting
- Dedicated to adjustment LED light intensity by applying light dimmer
- Compatible with triac & transistor dimmers (leading edge and trailing edge)
- Good cooperation with a wide range of commercially available dimmers
- Very good technical parameters
- High Power Factor Correction $PF \geq 0.98$
- Low content of Harmonic Current THD (Total Harmonic Distortion) $\leq 6\%$
- High efficiency up to 88%
- No negative impact on the power grid
- Reversible protections: short circuit, overvoltage, overload and thermal
- High reliability
- Fully isolated plastic case
- Can be mounted on the surface of indeterminate flammability class
- Cooling by free air convection
- 100% full load burn-in test
- Comply with European Safety & EMC standards for Lighting
- Conformity with The Ecoproject Directive ErP 2009/125/EC and its Regulations (No 278/2009 and 1194/2012) with regard to ecodesign requirements for no-load condition electric power consumption and average active efficiency of external and LED power supplies



2. Pictures

2.1. Z-LED-15W-700CC-S-DIMM



2.2. Z-LED-30W-700CC-F-DIMM

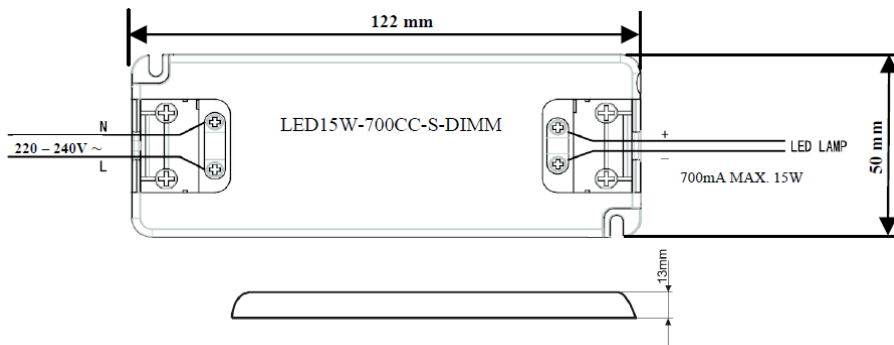


2.3. Z-LED-50W-700CC-DIMM

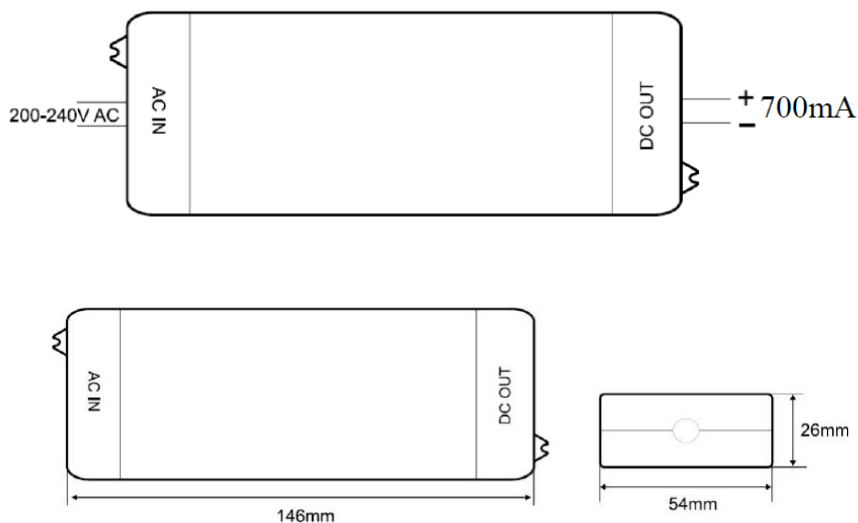


3. Case/Dimensions

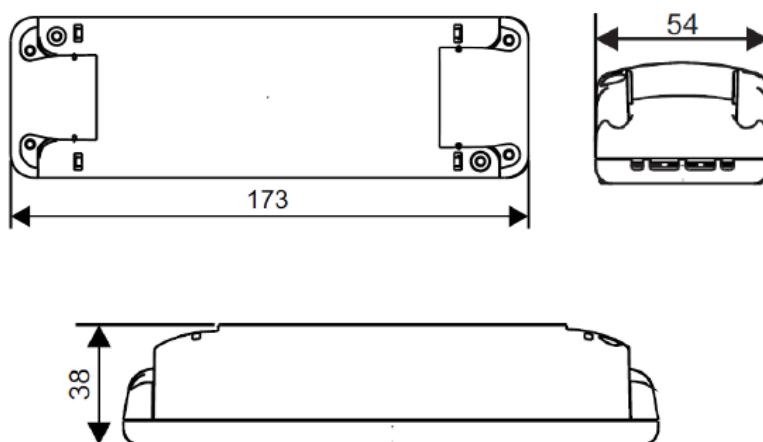
3.1. Z-LED-15W-700CC-S-DIMM



3.2. Z-LED-30W-700CC-F-DIMM



3.3. Z-LED-50W-700CC-DIMM



4. Technical data

PRODUCT CODE		Z-LED-15W-700CC-S-DIMM	Z-LED-30W-700CC-F-DIMM	Z-LED-50W-700CC-DIMM	
OUTPUT	RATED POWER	15W	30W	50W	
	RATED CURRENT	700mA	700mA	700mA	
	RATED VOLTAGE	21.5V	43V	71.5V	
	OUTPUT VOLTAGE RANGE WITH CONSTANT CURRENT	11.0 - 21.5V	21.0 - 43.0V	36.0 – 71.5V	
	MIN LOAD	7.5W	15W	20W	
	CURRENT TOLERANCE	± 3%	± 3%	± 3%	
	LINE REGULATION	± 3%	± 3%	± 3%	
	TYPE OF OUTPUT STABILIZATION	Constant current			
INPUT	VOLTAGE RANGE	220 – 240VAC			
	FREQUENCY RANGE	50 – 60Hz			
	POWER FACTOR	100% load, 230VAC	≥ 0.98	≥ 0.98	≥ 0.98
		at 50 – 100% output power, 230VAC	≥ 0.9		
	EFFICIENCY (nominal load)	0.83	0.85	0.88	
	AC CURRENT	70mA	150mA	300mA	
	INRUSH CURRENT	2A	2.5A	2A	
	NO LOAD POWER CONSUMPTION	≤ 0.3W	≤ 0.3W	≤ 0.5W	
	PROTECTION LEVEL	IP20	IP40/IP64	IP40	
SELV	Yes	Yes	No		
PROTECTION	OVER LOAD	100 – 110%			
		Protection type: Constant current limiting, recovers automatically after fault condition is removed			
	SHORT CIRCUIT	Hiccup mode, recovers automatically after fault condition is removed			
	OVER VOLTAGE	27V	47V	95V	
		Protection type: Constant voltage limiting			
	OVER TEMPERATURE	Above $t_a = +40^{\circ}\text{C}$			
	Protection type: Over-Temperature Shutdown, recovers automatically after temperature goes down				
ENVIRONMENT	WORKING TEMPERATURE t_a	-20 - + 40°C			
	MAX CASE TEMPERATURE t_c	80°C	80°C	80°C	
	WORKING HUMIDITY	10-95% RH			

PRODUCT CODE		Z-LED-15W-700CC-S-DIMM	Z-LED-30W-700CC-F-DIMM	Z-LED-50W-700CC-DIMM
	STORAGE TEMP., HUMIDITY	-20 - + 70°C, 10-95% RH		
SAFETY & EMC	STANDARDS	Safety: EN61347-1, EN61347-2-13 Electromagnetic compatibility: Emission EN55015, Immunity EN61547, Harmonic current EN61000-3-2		
	DIRECTIVE	Low Voltage Directive: LVD 2014/35/EU Electromagnetic Compatibility Directive: EMC 2014/30/EU Ecodesign Directive: ErP 2009/125/EC (No 278/2009, 1194/2012) Restriction of the use of certain hazardous substances: RoHS 2011/65/EU		
	WITHSTAND VOLTAGE	Input – Output: 3.75kVAC		
OTHERS	DIMENSION (LxWxH) - mm	122x50x13	146x54x26	173x54x38
	WEIGHT	68g	199g	236g
	MAXIMUM LENGTH OF OUTPUT CABLES	2m		
	MIN LINE	Input: 2x0.75mm ² /Output: 2x0.75mm ²		
	NUMBER OF TERMINALS	In: 2/ Out: 2	No terminals In: 2 wires 1mm ² 200mm/ Out: 2 wires 1mm ² 200mm	In: 4/ Out: 6
	LIFETIME (100% load and ta=+40°C)	30 000h		
	COOPERATION WITH DIMMERS	Yes triac & transistor dimmers/ leading & trailing edge dimmers (For best compatibility use recommended dimmers from list below)		
	RECOMMENDED DIMMERS	Govena PROP400 Govena PROPI315 Simon ..S9L2 BE T46.05 BE T46 Busch-Dimmer 2250 U PEHA 436	Govena PROP400 Govena PROPI315 Simon ..S9L2 BE T46 BE T39.01 Legrand EDW-GL4 Merten 5721 PEHA 436 Druck-Wechsel 8095 Busch-Dimmer 2250 Busch-Dimmer 220	Govena PROP400 Govena PROPI315 Govena PRO-250-LED Simon ..S9L2 Legrand EDW-GL4 Merten 5721